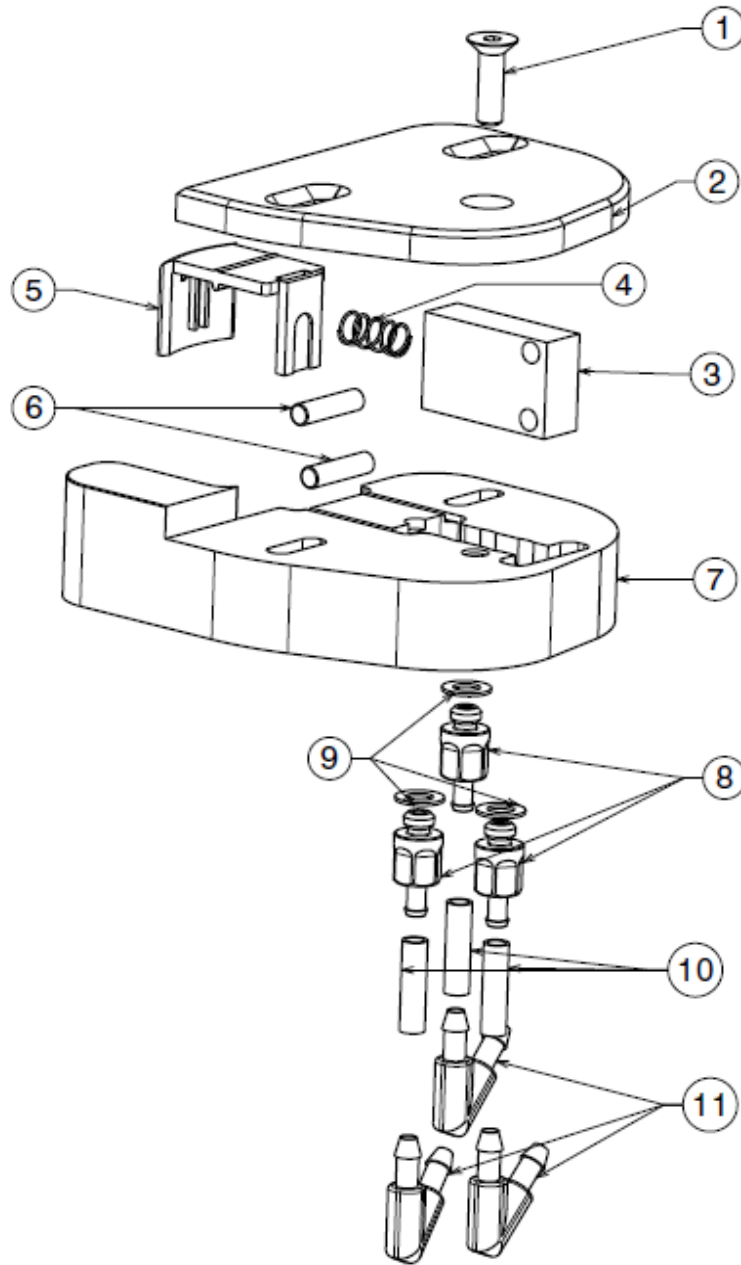




HENKE
SASS
WOLF

Ersatzteilpreisliste / Spare part price list
Pneumatic Vaccinator - Trigger

Valid
2025



Nr.	Description	Item No.	in spare part set
1	Countersunk screw DIN 7991 M4x14 A2	8300039634	
2	Cover trigger element	8300039632	
3	Valve micro limit	8300023906	
4	Spring 5.00x0.40x10.50	8300039752	
5	Slide button	8300039630	
6	Pin	8300039631	
7	Main frame trigger element	8300039629	
8	Tubing attachment	8300027651	
9	Washer M5	8300029034	
10	Tube (3 x 15mm)	8300024354	
11	Tube connector (3x)	8300050513	