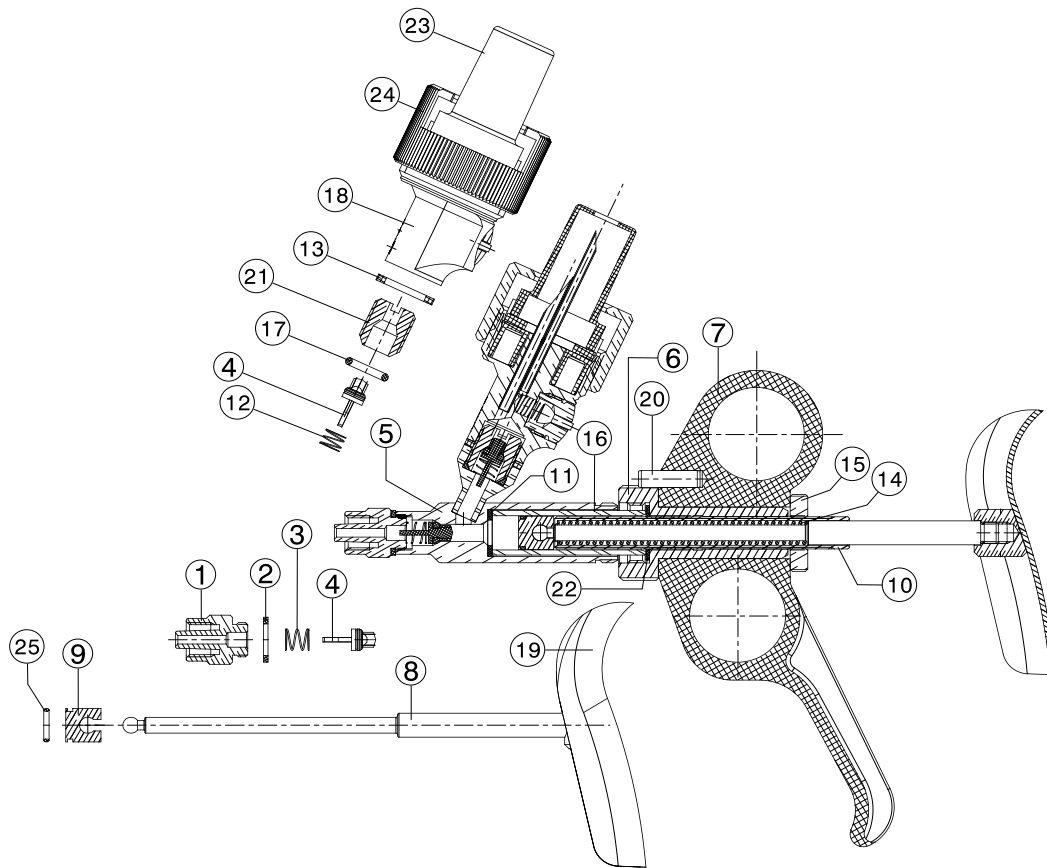


Eingeschränkte Verfügbarkeit / Supply not guaranteed



| Nr. | Bezeichnung | Description | Appellation | No. | In set |
|-----|----------------------------|-------------------------|--------------------------------|------------|--------|
| 1 | Luer-Lock Ansatz | Nozzle Luer-Lock | Embout Luer-Lock | 3000000809 | |
| 2 | Dichtring | Washer | Rondelle | 3000000090 | 1 pce. |
| 3 | Druckfeder | Compressing spring | Ressort à pression | 3000000474 | 1 pce. |
| 4 | Ventilkörper kpl. Viton | Valve with washer | Soupape avec rondelle | 3000000381 | 2 pcs. |
| 5 | Zylinderbehälter 2 ml | Barrel sleeve 2 ml | Tube de cylindre 2 ml | 3002000804 | |
| 6 | Führungshülse | Sleeve | Douille | 3002000801 | |
| 7 | Griff schwarz | Handle black | Poignée noire | 3000000800 | |
| 8 | Kolbenstange | Piston rod | Tige de piston | 3000000818 | |
| 9 | Kolben | Piston | Piston | 3002000805 | |
| 10 | Einstellhülse | Adjusting sleeve | Manchon du disp. à dosage | 8300016503 | |
| 11 | Dichtring | Washer | Rondelle | 3002000814 | 1 pce. |
| 12 | Druckfeder | Compressing spring | Ressort à pression | 3000000085 | 1 pce. |
| 13 | Dichtring | Washer | Rondelle | 3000000398 | 1 pce. |
| 14 | Druckfeder | Compressing spring | Ressort à pression | 3000000813 | |
| 15 | Rändelmutter | Knurled screw | Écrou moleté | 8300016635 | |
| 16 | Glaszylinder 2 ml | Glass barrel 2 ml | Cylindre en verre 2 ml | 3002000820 | |
| 17 | O-Ring | Washer | Rondelle | 3000000607 | 1 pce. |
| 18a | Adapter f. Plastikflaschen | Adaptor plastic bottles | Adaptateur bouteille plastique | 3000000461 | |
| 18b | Adapter f. Glasflaschen | Adaptor glass bottles | Adaptateur bouteille en verre | 3000000471 | |
| 19 | Griffstück kpl. | Crutch handle | Béquille | 3000000808 | |
| 20 | Zylinderstift | Pin | Goujon | 3000000812 | |
| 21 | Ventilschraube | Valve screw | Vis tendeuse | 8300016670 | |
| 22 | Dichtring | Washer | Rondelle | 3002000815 | 1 pce. |
| 23 | Schutzkappe | Closing cap | Capuchon à clôture | 3000000403 | |
| 24 | Überwurfmutter | Fixing screw | Écrou | 8300002045 | |
| 25 | O-Ring | Washer | Rondelle | 3002000810 | 1 pce. |
| - | Ersatzteilset 2 ml | Spare part set 2 ml | Set pièces de rechange 2 ml | 3000000200 | |
| - | Vorderteil Gewinde | Nozzle thread | Embout à vis | 3000000819 | |